

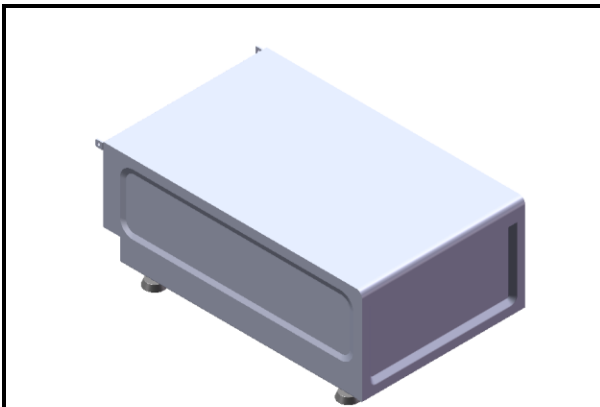


Total Food-Service Solutions

Modular Cooking - Amicus 600

Neutral Work Counter

NNWC 4-60 AM



*Due to routine technical improvement, the photograph shown may not represent the latest design of the products.

AVAILABLE MODEL

1. NNWC 4-60 AM

DESCRIPTION

Amicus Neutral Work Counter constructed with reinforced top for maximum heavy duty usage. Unit can be installed free standing table top, on open cabinet or similar elements, cantilever, or solid block solutions. Featuring rear seamless fitting to Amicus family.

ITEM# : _____

MODEL# : _____

NAME : _____

SN : _____

MAIN FEATURE

- Unit to be installed free standing can be joined with Base cabinet, table stand or cantilever system.

CONSTRUCTION

- All exterior panels in 304 type of Stainless Steel
- Orbital top surface anti-scratch finishing.
- Top with 1.2 mm surface.
- Side with 1.2mm pressed surface.
- Front with 0.8 mm pressed surface.
- Adjustable ± 30 mm leg.

INCLUDED ACCESSORIES

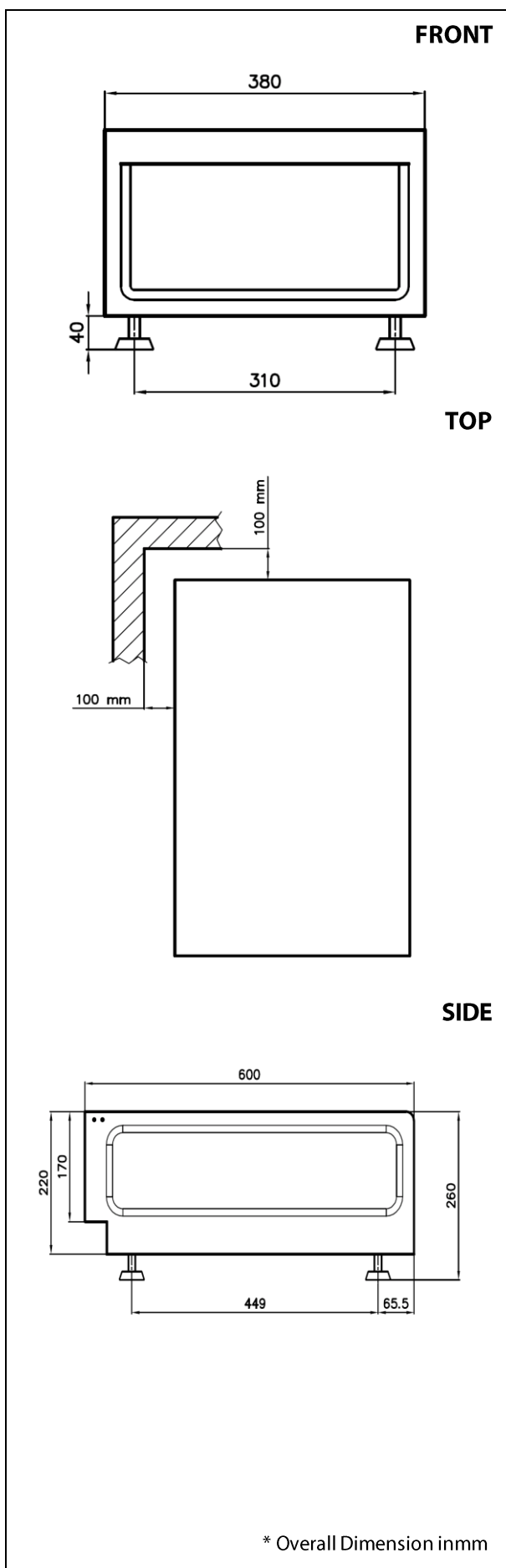
- Clip Plate for Joining.

OPTIONAL ACCESSORIES

- N/A

The company reserves the right to make modifications to the products without prior notice. All information correct at time of printing.
2017.11.27





KEY INFORMATION

Unit dimension (WxDxH) : 380x600x220 mm
 Gross weight : 13 kg

PACKING DETAILS

Shipping width : 450 mm
 Shipping depth : 700 mm
 Shipping height : 395 mm
 Shipping volume : 0.124 m³
 Gross weight : 17 kg

The company reserves the right to make modifications to the products without prior notice. All information correct at time of printing. 2017.11.27